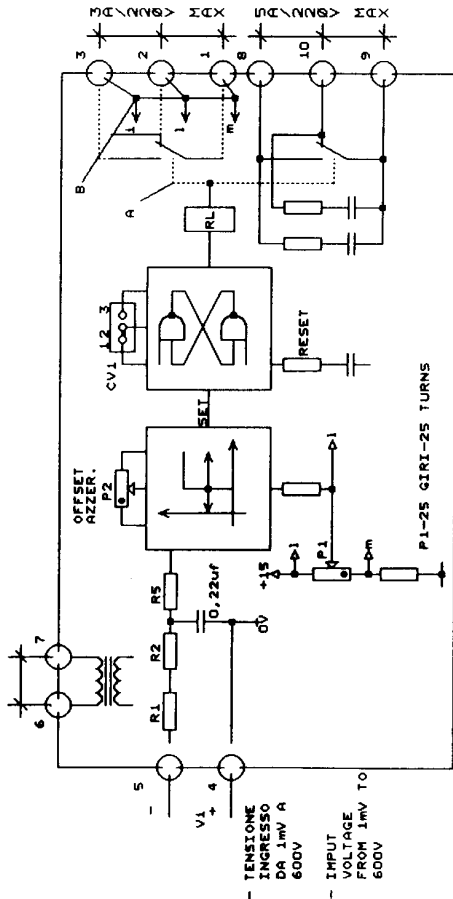


RELE' A SOGLIA CON MEMORIA RSM1/RSM2
MEMORY THRESHOLD RELAY

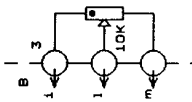
SCHEMA INSERZIONE
INSERTION DIAGRAM

24V-1,5VA-50/60HZ
48V-1,5VA-50/60HZ
110V-1,5VA-50/60HZ
220V-1,5VA-50/60HZ



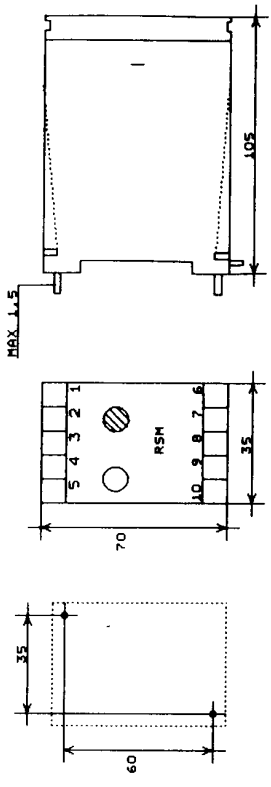
- TENSIONE INGRESSO DA 1mV A 600V
- INPUT VOLTAGE FROM 1mV TO 600V

- NB : - SOGLIA DI INGRESSO TARABILE TRAMITE P1
INPUT LEVEL SET ADJUSTING BY P1
- DA 1 A 20mV-R1=R2=470ohm 1/4WRS=120ohm 1/4W VI MAX=10V
DA 20 A 400mV-R1=R2 2K2 1/4WRS=120ohm 1/4W VI MAX=40V
DA 0.4 A 8V-R1=R2=33K 1/4WRS=120ohm 1/4W VI MAX=180V
DA B A 180V-R1=R2=220K 1/4WRS=10K 1/4W VI MAX=600V
DA B A 600V-R1=R2=3M3 1/4WRS=10K 1/4W VI MAX=800V
- CON MEMORIA DELLA SOGLIA DI INTERVENTO: CV1 POS. 1-2
WITH SET POINT LEVEL LATCH: CV1 POS. 1-2
- SENZA MEMORIA DELLA SOGLIA DI INTERVENTO: CV1 POS. 2-3
WITHOUT SET POINT LEVEL LATCH: CV1 POS. 2-3



- EVENTUALE SOGLIA (SOLO CON RSM1) (PARTICOLARE)
EXTERNAL LEVEL SET ON REQUEST (ONLY WITH RSM1) (DETAIL)

DIMENSIONI E FISSAGGIO
DIMENSIONS AND FASTENING
(mm)



REV	DESCRIPTION	DRAWN	APPROVED	DATE
00		F. B.	Ed. Jk	



SCS Static Control Systems
Aziende elettronici
e automazione

ALL RIGHTS ARE RESERVED

Title
RSM MEMORY THRESHOLD RELAY

Size Document Number SF482

REV
00

DATE: JUNE 29, 1975 SHEET 1 OF 1