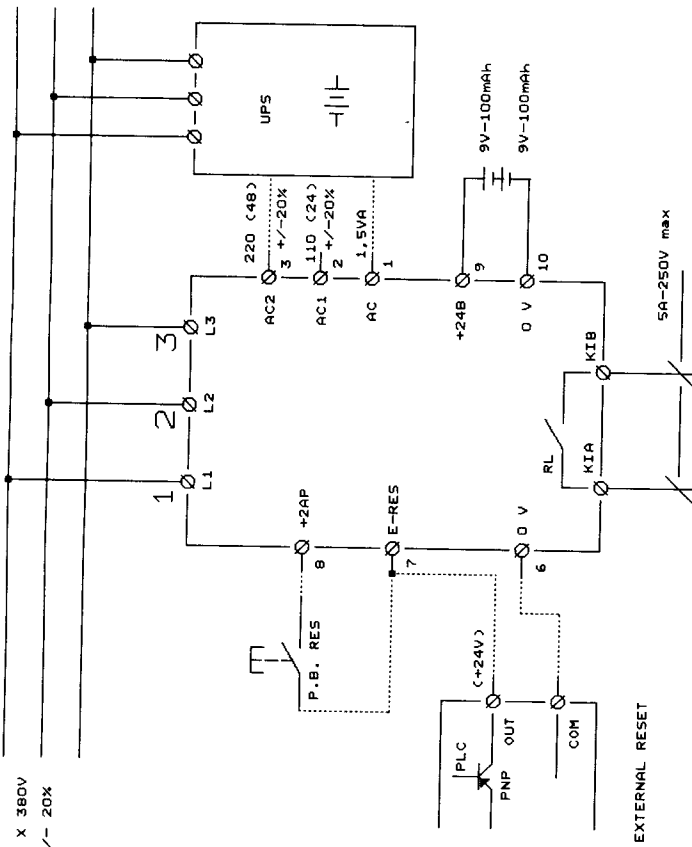


3 X 380V  
+/- 20%



EXTERNAL RESET

TO PROTECTIONS, ALARMS LACTH  
FOR RESET STANDARD PULSE=250ms

INTERNAL SELECTIONS (J1-J2)

- J1 1-2 INTERNAL AUTORESET (CICLICAL) STANDARD POS.
- J1 2-3 EXTERNAL RESET. "ONLYONE" RESET OF PROTECTIONS IS POSSIBLE. OTHERS, ARE POSSIBLE ONLY WHEN NEW EXTERNAL RESET IS MADE.
- J2 1-2 DELAY SAFETY TIME (BEFORE PULSE), START "AFTER" MAIN RETURNS. STANDARD POS.
- J2 2-3 DELAY SAFETY TIME (BEFORE PULSE), START AT BEGINING OF POWER FAILURE. ONLY FOR VERY SMART FAILURE (0.2-15ms).

REV	DESCRIPTION	DRAWN	APPROVED	DATE
01		CC		

ALL RIGHTS ARE RESERVED	
Title	SCS Static Control Systems
Size	Aziendamenti elettronici e automazione
Document Number	se476
REV	1 of 1
Date	December 5, 1995

