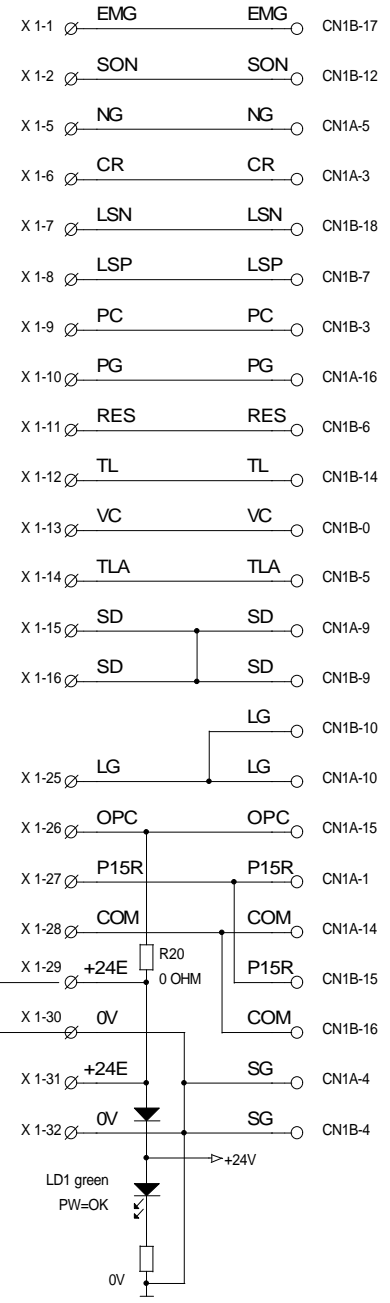


CONNECTIONS X1 TERMINAL BOARD TO MRJ CONNECTORS

TERMINAL BOARD 32 pins MRJ Melservo connectors CN1A and CN1B



EXTERNAL SUPPLY
24V nom +/-20%
I max 450mA
(All output @ 20mA)

X 1 TERMINAL BOARD 32 pins
 ○ CN1A
 ○ Melservo connectors CN1A and CN1B
 ○ CN1B
 NOTE: ALL OUTPUT 20 mA max, PUSH-PULL or NPN OPEN C.

INPUT SIGNALS VALUES		
	MIN	MAX
5V	3V @ 6.3mA	6V @ 19mA
12V	9.5V @ 7mA	17V @ 20mA
24V	16.5V @ 7mA	30V @ 15.6mA

INPUT MAX FREQUENCY		
PS1,2,3,4,5, 6,7,8,10,13	100 KHZ	10KHZ
	OFF OPEN	ON CLOSED

SELECTION	INPUT PP and NP		
	5V	12V	24V
JP1,2 JP3,4	1-1	2-2	3-3
	ON CLOSED	OFF OPEN	OFF OPEN

OUTPUT PP and NP		
	NPN	PUSH-PULL
PS11, PS14	ON CLOSED	OFF OPEN
PS15, PS16	OFF OPEN	ON CLOSED

= ASD = DIGITAL SIGNALS ADAPTER FOR MRJ

REV.	DESCRIPTION	DRAWN	APPROVED	DATE
00		PANZERI	MOLINELLI	10/09/03



Mod.S04P01M10 Rev.00 - ALL RIGHTS RESERVED		
Title FUNCTIONAL DRAW AND CONNECTIONS =ASD=		
Size	Document Number SE618_00	Rev 00
Date: Thursday, September 11, 2003	Sheet 1	of 1